

**200 ~ 300 Watts**  
**Single/Quad Output**  
**Open Frame Type for Medical**



## FEATURES

- ◆ Low safety ground leakage current
- ◆ EN61000-3-2 class A and D compliant
- ◆ Power Factor 0.98 typical
- ◆ Power Fail Detect (PFD) signal
- ◆ Overvoltage & Short-circuit protection
- ◆ Remote sense on output #1 and output #2
- ◆ Remote inhibit - TTL high to disable output



## SPECIFICATIONS

Input Voltage Range.....	90~264VAC
Input Current (rms).....	4.7A Max.
Efficiency.....	70% min
Earth leakage/Touch current.....	300uA/100uA max. @ 264VAC/63Hz
Operating Temperature.....	0°C ~ +70°C
	(Derate from 100% load @ +50°C , linearly to 50% load @ 70°C )
Cooling.....	200 /250 /300 watts continuous output power at 35 CFM forced air cooling 100 /125 /150 watts at convention cooling
Storage Temperature.....	-40°C ~ 85°C
Relative Humidity.....	5% to 95% non-condensing
Protections.....	OVP, OCP & Short-circuit Protection
Withstand Voltage .....	5600 VDC from input to output (2 MOPP) 2100 VDC from input to ground (1 MOPP) 700 VDC from output to ground
Safety Standard.....	UL ES60601-1, CSA C22.2 No. 60601-1
EMC Standard.....	Meet EN55011 Class B EN61000-3-2,-3, EN61000-4-2, 3, 4, 5, 6, 8, 11

All Specifications are Typical at Nominal Line, full Load and 25°C. Unless Otherwise Noted.

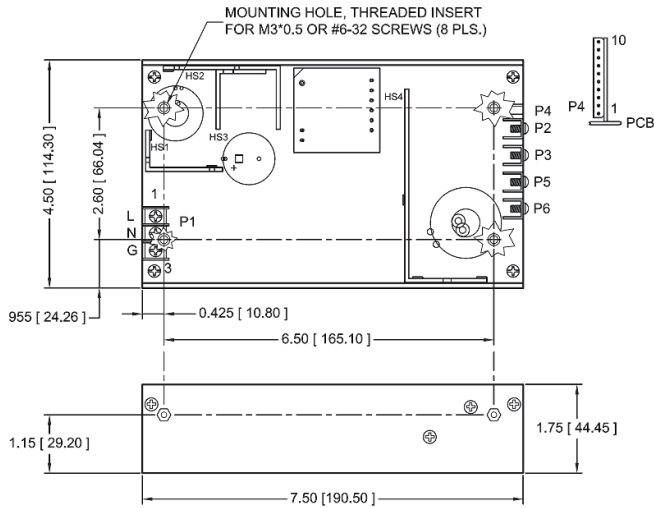
Model Number	Output #1				Output #2				Output #3				Output #4				Max. Output Power	
	V1	Imin	Imax	Tol.	V2	Imin	Imax	Tol.	V3	Imin	Imax	Tol.	V3	Imin	Imax	Tol.		
FPM300-S033-x	3.3V	3.0A	60.0A	±3%														100W/200W
FPM300-S051-x	5.1V	3.0A	60.0A	±2%														150W/300W
FPM300-S120-x	12V	1.2A	25.0A	±2%														150W/300W
FPM300-S150-x	15V	1.0A	20.0A	±2%														150W/300W
FPM300-S240-x	24V	0.6A	12.5A	±2%														150W/300W
FPM300-S300-x	30V	0.5A	10.0A	±2%														150W/300W
FPM300-S480-x	48V	0.5A	6.30A	±2%														150W/300W
FPM300-Q040-3-x	3.3V	3.0A	35.0A	±2%	5.1V	2.0A	22A	±2%	12V	0A	4A	±4%	12V	0A	4A	±4%	150W/300W	
FPM300-Q040-x	5.1V	2.0A	35.0A	±2%	12V	1.0A	10A	±2%	12V	0A	4A	±4%	5.1V	0A	4A	±4%	150W/300W	
FPM300-Q041-x	5.1V	2.0A	35.0A	±2%	15V	0.8A	8A	±2%	15V	0A	4A	±4%	24V	0A	2.5A	±4%	150W/300W	
FPM300-Q042-x	5.1V	2.0A	35.0A	±2%	12V	1.0A	10A	±2%	12V	0A	4A	±4%	12V	0A	4A	±4%	150W/300W	
FPM300-Q045-x	5.1V	2.0A	35.0A	±2%	12V	1.0A	10A	±2%	12V	0A	4A	±4%	24V	0A	2.5A	±4%	150W/300W	
FPM300-Q046-x	5.1V	2.0A	35.0A	±2%	12V	1.0A	10A	±2%	12V	0A	4A	±4%	15V	0A	4A	±4%	150W/300W	
FPM300-Q047-x	5.1V	2.0A	35.0A	±2%	24V	0.5A	5A	±2%	12V	0A	4A	±4%	12V	0A	4A	±4%	150W/300W	
FPM300-Q048-x	5.1V	2.0A	35.0A	±2%	24V	0.5A	5A	±2%	5.1V	0A	4A	±4%	15V	0A	4A	±4%	150W/300W	
FPM300-Q049-x	5.1V	2.0A	35.0A	±2%	12V	1.0A	10A	±2%	5.1V	0A	4A	±4%	24V	0A	2.5A	±4%	150W/300W	
FPM300-Q0410-x	24V	0.5A	6.30A	±2%	12V	1.0A	10A	±2%	5.1V	0A	4A	±4%	12V	0A	4A	±4%	150W/300W	
FPM300-Q0411-x	24V	0.5A	6.30A	±2%	12V	1.0A	10A	±2%	5.1V	0A	4A	±4%	24V	0A	2.5A	±4%	150W/300W	
FPM300-Q0412-x	24V	0.5A	6.30A	±2%	12V	1.0A	10A	±2%	12V	0A	4A	±4%	12V	0A	4A	±4%	150W/300W	
FPM300-Q0413-x	24V	0.5A	6.30A	±2%	24V	0.5A	5A	±2%	5.1V	0A	4A	±4%	15V	0A	4A	±4%	150W/300W	
FPM300-Q0414-x	24V	0.5A	6.30A	±2%	24V	0.5A	5A	±2%	12V	0A	4A	±4%	12V	0A	4A	±4%	150W/300W	

- Note:
1. x = U for U-bracket, x = E for Enclosed
  2. All outputs are floating. They can be connected externally for positive or negative output.
  3. Output #1 & #2 can be adjusted within ±5% of their nominal voltage.
  4. Output #3 & #4 can be adjusted within ±15% of their nominal voltage.
  5. 300 watts for "E" version with cover and fan assembly, 150 watts for "U" version without moving air (maximum current of output #1 & #2 derated to 50%), or 300 watts with 35 CFM forced air provided by user.
  6. FPM300-S033-x is rated 200 watts with 35 CFM forced air cooling or 100 watts convection cooled. FPM300-Q40-3 is rated 250 watts with 35 CFM forced air cooling (maximum current of output #1 & #2 derated to 50%) or 125 watts convection cooled.
  7. Single output models may be operated at no-load. At no-load, output voltage tolerance increases to ±10%
  8. Ripple and noise is maximum peak to peak voltage value measured at output within 20 MHz bandwidth, at rated line voltage and output load ranges, and with a 10 uF tantalum capacitor in parallel with a 0.1 uF ceramic capacitor across the output.

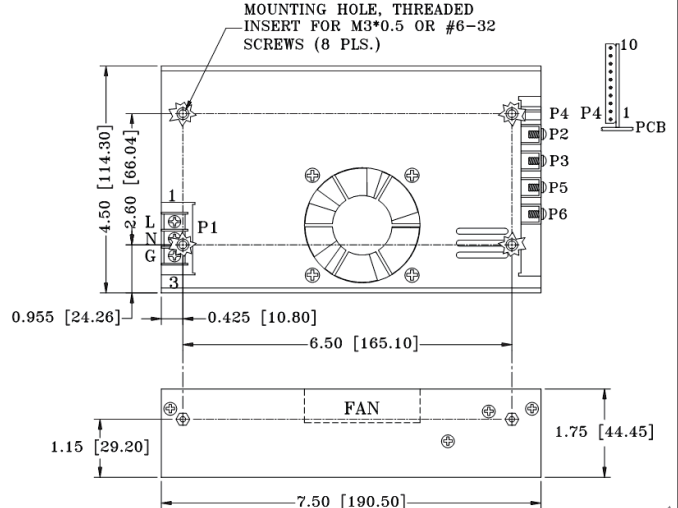
# MECHANICAL DRAWING (mm)

## Single Output Models

### U-bracket Form

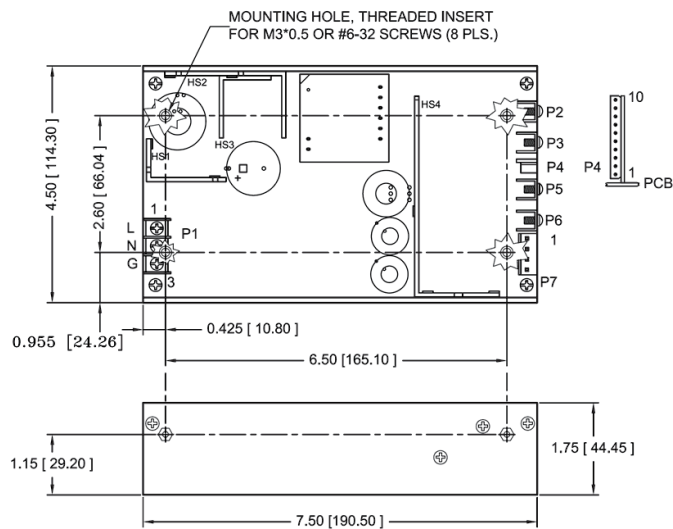


### Enclosed Form

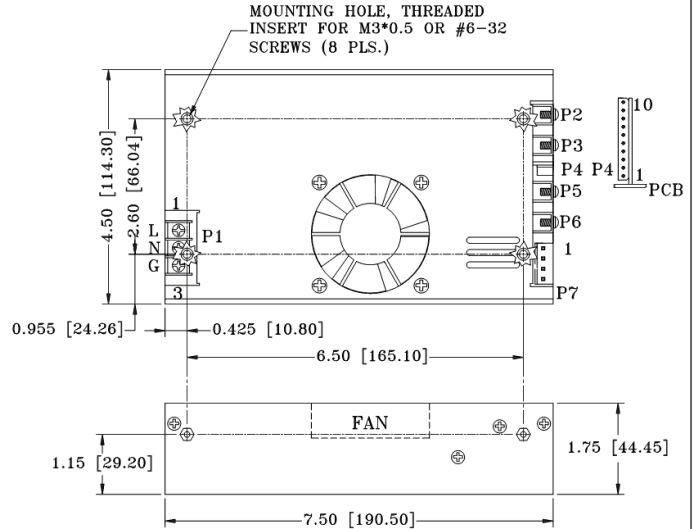


## Multiple Output Models

### U-bracket Form



### Enclosed Form



## PIN CHART

Output	CONN PIN	P1 (AC)			P2	P3	P5	P6	P7			
		1	2	3					1	2	3	4
Single		Live	Neutral	Ground	+V1		V1 Return		N.A.			
Quad		Live	Neutral	Ground	+V1	V1 Return	+V2	V2 Return	+V3	V3 Return	+V4	V4 Return

Output	CONN PIN	P4									
		1	2	3	4	5	6	7	8	9	10
Single		Signal Common Return	+V1 Sense	-V1 Sense	PFD	Inhibit +V	N.C.	N.C.	N.C.	Fan Return	+12V Fan
Quad		Signal Common Return	+V1 Sense	-V1 Sense	PFD	Inhibit +V	N.C.	+V2 Sense	-V2 Sense	Fan Return	+12V Fan

Note:

1. Dimensions shown in inches [mm] ; Tolerance 0.02 [0.5] maximum
2. Input connector P1 is Dinkle DT-35-B01 W-03 with M3, nickel-plated screws
3. Connector P4 mates with Molex housing 50-37-5103 and pins 5263.
4. Connectors P2, P3, P5 and P6: M3\*0.5 screw connections
5. Output connector P7 mates with Molex housing 09-50-3041 and Molex 2878 series crimp terminal.
6. Weight: 1.10 Kgs. (2.42 lbs.) approx. for U-bracket form, 1.24 Kgs. (2.73 lbs.) approx. for Enclosed form.
7. Maximum penetration depth of fixing screws is 4 mm from the outer surface of chassis.