

## 80 ~ 130 Watts Single Output AC-DC Adaptor Medical Power

### FEATURES

- ◆ Universal AC input / Full range
- ◆ No load power consumption < 0.21W
- ◆ 2 x MOPP compliance
- ◆ LED Indicator
- ◆ Protections: OCP, OVP, OTP, Short Circuit
- ◆ Active PFC function
- ◆ Energy efficiency level VI
- ◆ MTBF > 100K hours

### SPECIFICATIONS

Input Voltage..... 100~240VAC  
 Input Frequency..... 50~60Hz  
 Input Current..... 2.0A max.  
 Inrush Current..... 60A/100VAC ; 120A/230VAC  
 Turn On / Hold Up Time..... 3s max. / 8.3ms min.  
 Operating Temperature..... 0°C to +40°C  
 Storage Temperature ..... -20°C to +85°C  
 Short Circuit, Over current protection..... Auto Recovery  
 Over Voltage, Over Temp. Protection..... Latch-Off  
 Operating Humidity..... 10% to 90%  
 Storage Humidity..... 5% to 95%  
 Safety Standard..... ANSI/AAMI ES60601-1:2005/(R)2012  
 CAN/CSA-C22.2 No. 60601-1:14  
 Safety Meets..... IEC60601-1:2005/AM1:2012 ; EN60601-1:2006+A1:2013  
 EMC Standard..... EN55011, FCC PART 15 class B, CISPR PUB.22,  
 EN60601-1-2, EN61000-3-2,3, EN61000-4-2,3,4,5,6,8,11

All specifications are typical at nominal line, full load and 25°C; unless otherwise noted.

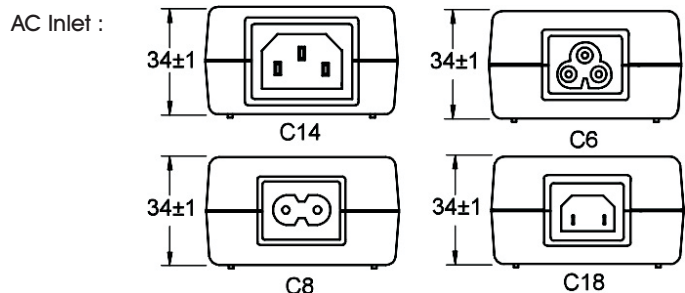
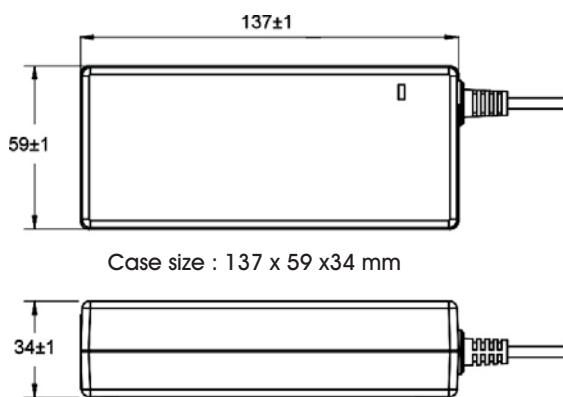


Model Number	Output Voltage (VDC)	Output Current (A) max.	R & N Vp-p(mV) max.	Max. Watts
FDM130-S12A-x	12-16	6.66	240	80W
FDM130-S12B-x	12-16	7.50	240	90W
FDM130-S12D-x	12-16	8.33	240	100W
FDM130-S12F-x	12-16	9.16	240	110W
FDM130-S12H-x	12-16	10.0	240	120W
FDM130-S24C-x	19-24	4.73	360	90W
FDM130-S24E-x	19-24	5.26	360	100W
FDM130-S24G-x	19-24	5.78	360	110W
FDM130-S24M-x	19-24	6.31	360	120W
FDM130-S48N-x	48-56	2.08	840	100W
FDM130-S48P-x	48-56	2.70	840	130W

#### Ordering Information:

\* x for AC inlet type, it can be 4, 5, 6 or 8  
 4 = IEC C14, 5 = IEC C18, 6 = IEC C6, 8 = IEC C8

### MECHANICAL DRAWING (Unit: mm)

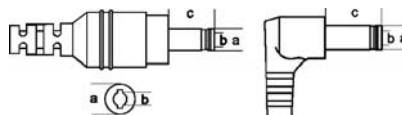


#### DC Connector :

x	a x b x c
01	5.5 x 2.1 x 9 mm
02	5.5 x 2.1 x 10 mm
03	5.5 x 2.1 x 11 mm
04	5.5 x 2.5 x 9 mm
05	5.5 x 2.5 x 10 mm
06	5.5 x 2.5 x 11 mm

※ Other DC jack can also be customized by extra charge

#### Barrel jack for < 8.5A only



#### Power Mini Din for > 8.5A

